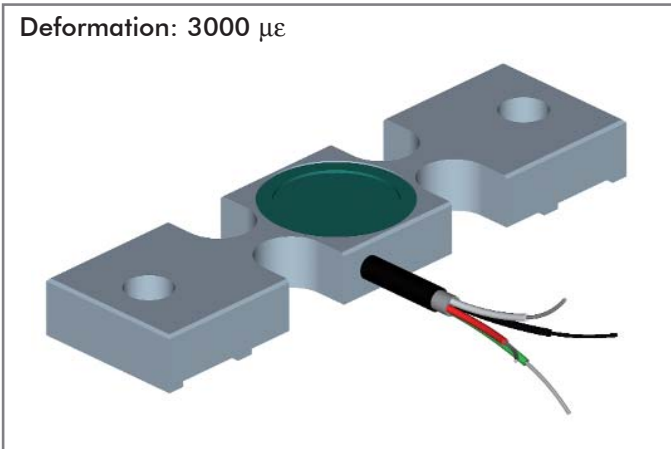
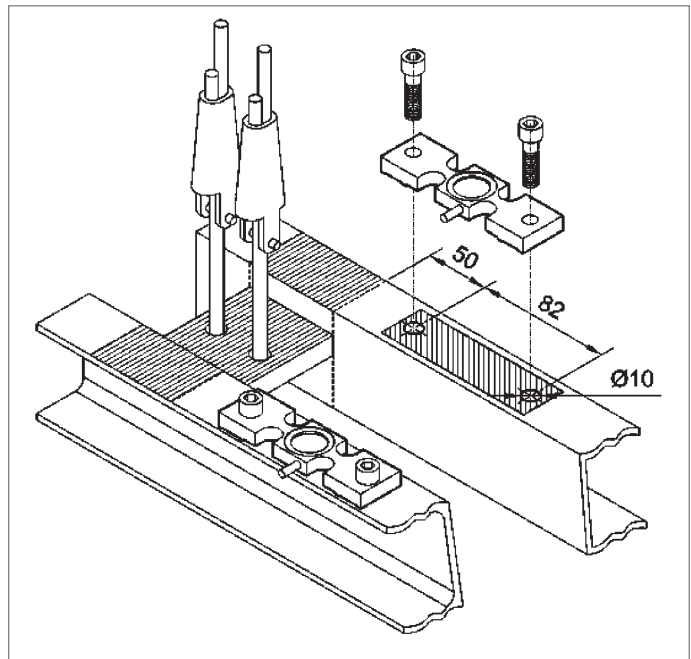
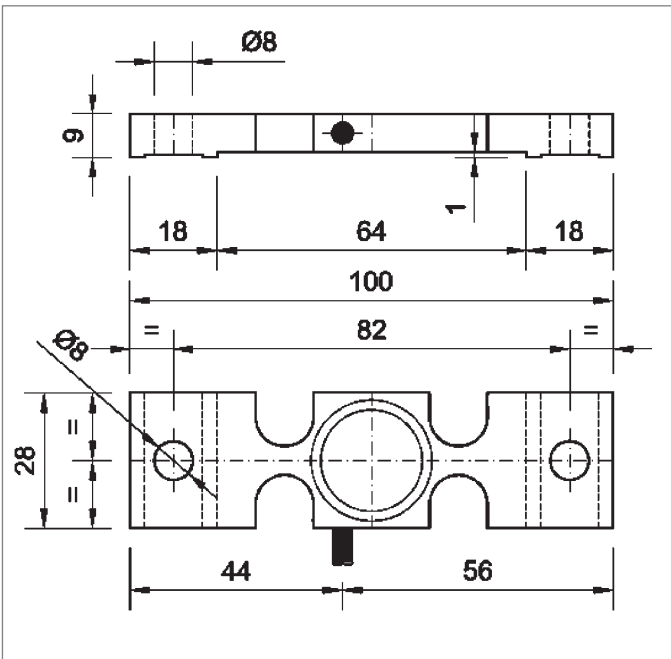


## SV3000

Deformation: 3000  $\mu\epsilon$



- **Load weighing** system especially designed to measure the crosshead deformation of the traction elevator.
- Made of high resistance aluminium material with anti-corrosion treatment.
- **Field of application:** On the elevator crosshead or also could be used to measure deformation in steel beams for the silos level, tanks deposits, chutes, etc.



### Technical Characteristic

Sensibility	.2 (mV/V)
Tension of excitation	<12V
Zero Balance	<10% F.S.
Non-linearity	<0.15% F.S.
Non-repeatability	<0.15% F.S.
Combined error	<0.20% F.S.
Hysteresis	<0.02% F.S.
Input resistance	.350 $\Omega$ $\pm$ 2 $\Omega$
Output resistance	.350 $\Omega$ $\pm$ 2 $\Omega$
Insulation resistance....( V. Test =100V)	>5.000 $\Omega$ 10 <sup>6</sup> $\Omega$
Maximum work load	.150% F.S.
Load limit without lost of characteristic	.200% F.S.

#### CONNECTION

<b>Standard</b>	Excitation +	Red
	Excitation -	Black
	Signal +	Green
	Signal -	White
<b>USB</b>	