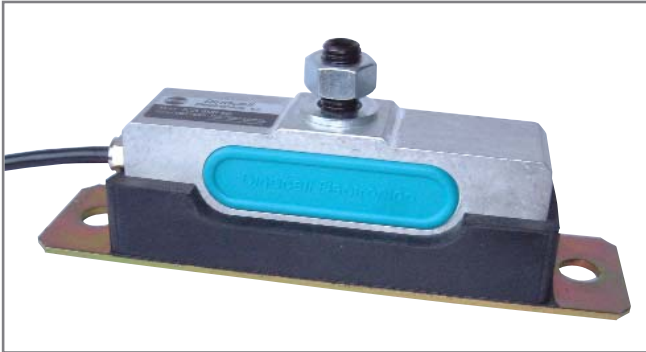
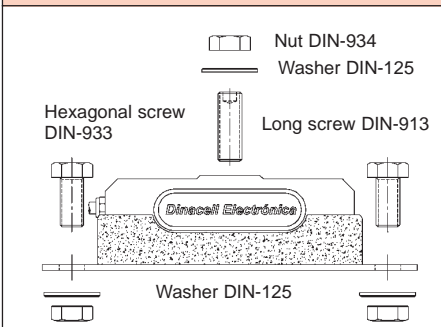


TCA-800

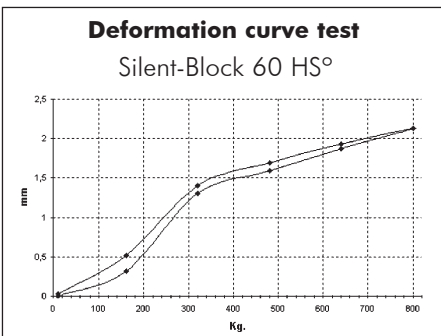
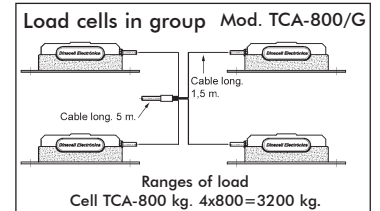
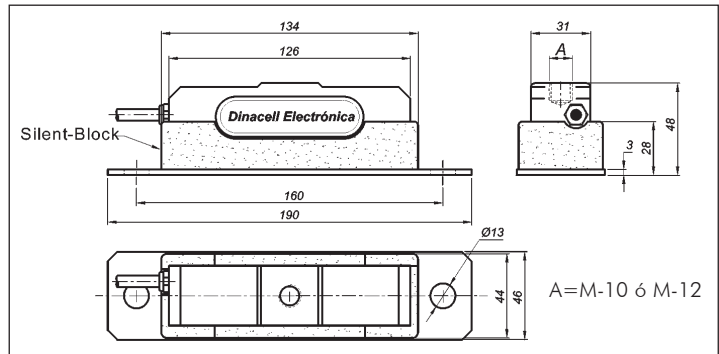


- Load cell for installation under cabin.
- Mounted on a silent-block pad that avoids the transfer of vibrations.
- Connected to the unit control of the series VK, and able to install a quantity of 8 cells in parallel.
- They are manufactured in 2 different kinds:
 - Individual Model TCA-800/I
 - Model in Group TCA-800/G (800x4=3.200 kg), where the four cells are active and it facilitates the electrical connections.
- "Auto-calibrated" No need to introduce a well-known weight in cabin for their adjustment.
- Model of maximum precision. It is recommended for the installation of new elevators.

STANDARD SCREWS	
Nuts DIN 934	3 pieces
Washer DIN-125	3 pieces
Long screw DIN-913	1 piece
Hexagonal screw DIN 933	2 pieces



The indicated screw is the standard one that supply with the cell. In the event of the clients request, this can be substituted according to the necessities that it requires the installation



CONNECTION	
Standard	Excitation + . . . Red Excitation - . . . Black Signal + Green Signal - White
USB	

Models	Metric	Number of cells
TCA800/I-M10	M10	1 (individual)
TCA800/I-M12	M12	1 (individual)
TCA800/G-M10	M10	4 (group)
TCA800/G-M12	M12	4 (group)

Technical Characteristic

Sensibility	2 (mV/V) ± 2%
Tension of excitement	5..12V
Temperature range of work	-20 a +70 °C
Non linearity	<0.15 % F.S.
Non repeatability	<0.15 % F.S.
Hysteresis	<0.05 % F.S.
Combined error	<0.2 % F.S.
Input resistance	>1000 Ω
Output resistance	1000 Ω ± 2
Insulation resistance... (V. Test =100V)	>5.000x10 ⁶ Ω
Maximum work load	150 % F.S.
Load limit without lost of characteristic	200 % F.S.

