

Installation Instructions for the Condensate Evaporator

ELA07-115v. (6531-3251_-) - 20 Amps; 240v. (6571-3251_-) - 10 Amps

ELA12: 115v.(6533-3252)- 25 Amps; 240v. (6573-3252)- 12.5 Amps

Package Contents

- 1 - Condensate Evaporator Assembly
- 1 - Unit Drain Filter Pad
- 2 - Filter Pad Hold-Down Clips
- 1 -3/8" I.D. x 4 Ft. (.95 I.D. x 121.9 cm) Overflow Hose
- 1 - Hose Clamp
- 4 - Evaporator Mount Clips
- 1 - Evaporator Guard

Filter Installation

Center filter pad over condensate drain fitting inside of unit drain pan and secure filter pad with hold-down clips which slide over the edge of the unit drain pan to hold the filter in place (See Figure 2).

Evaporator Installation

- A. The elevator air conditioner should first be installed following the instructions provided with the unit. The air conditioner must be installed at least 5" (12.7 cm) higher than the mounting surface for the condensate evaporator to allow for proper drainage (See Figure 3).
- B. Install the condensate evaporator with four screws through the mounting flanges so the evaporator is level and will not shift. Position the evaporator guard basket over the evaporator, routing the conduit through a grid section. Secure evaporator guard to the base using the four clips provided. Position the guard to allow the overflow hose direct entry through a grid section to the evaporator.
- C. Route a length of 7/8" (2.2 cm) I.D. drain hose provided with the air conditioner through a grid section to provide drainage into the evaporator without touching the evaporator. The drain hose will fit snugly through a grid section. Do not allow the drain hose to route above the a/c unit drain pan at any point.
- D. Attach the 3/8" (.954 cm) ID hose to the evaporator using the clamp provided. This hose will pass through an evaporator guard grid section. Free end of this hose will be inserted and secured into the remaining 7/8" (2.2 cm) I.D. hose which passes to the bottom of the elevator. The 7/8" (2.2 cm) I.D. hose should be clamped to the elevator side. Ensure that a minimum of 4 inches of evaporator overflow hose is inserted and secured into the larger drain hose. **Do not allow the overflow hose to route above the evaporator pan at any point.**
- E. Connect power supply per all building, electrical and other applicable codes. There should not be any objects located directly above the evaporator as it does disperse steam.

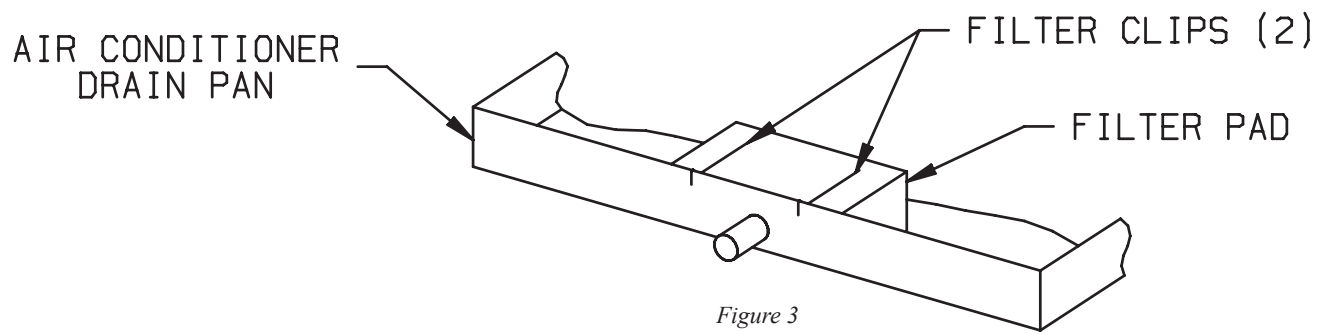


Figure 3

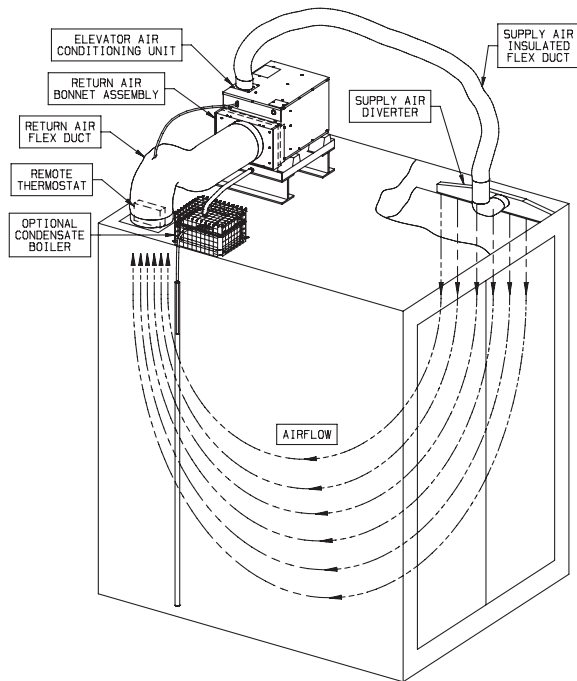


Figure 4a ELA07

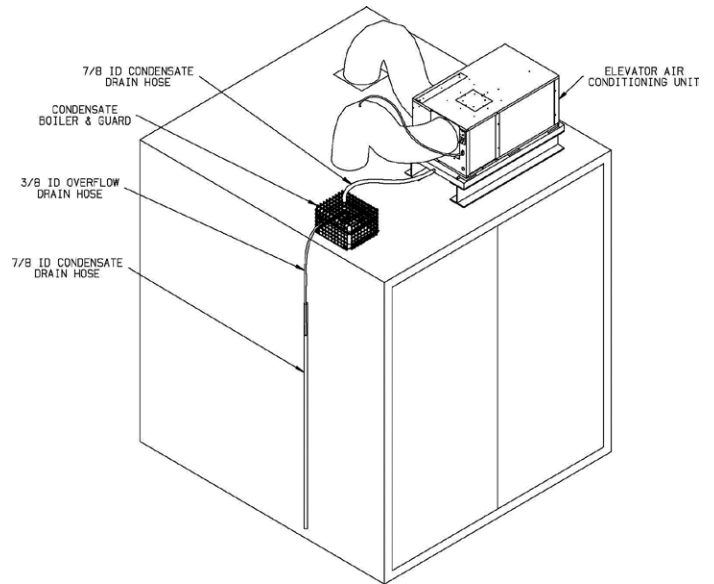


Figure 4b ELA12