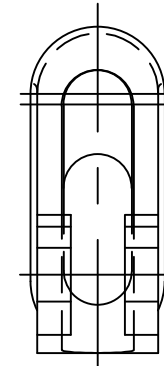
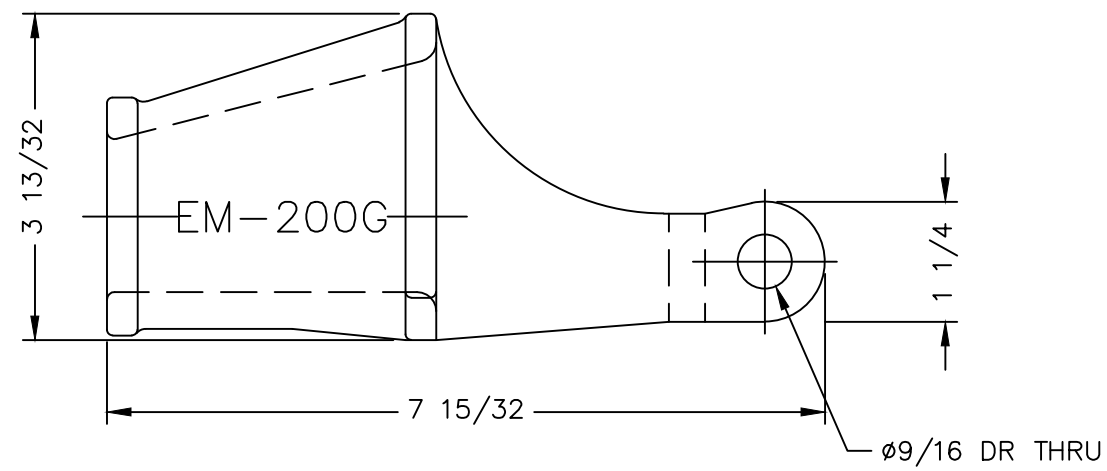
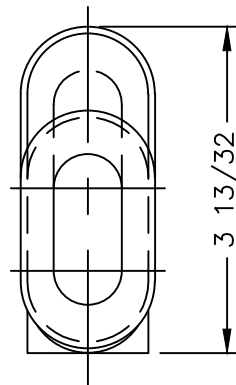
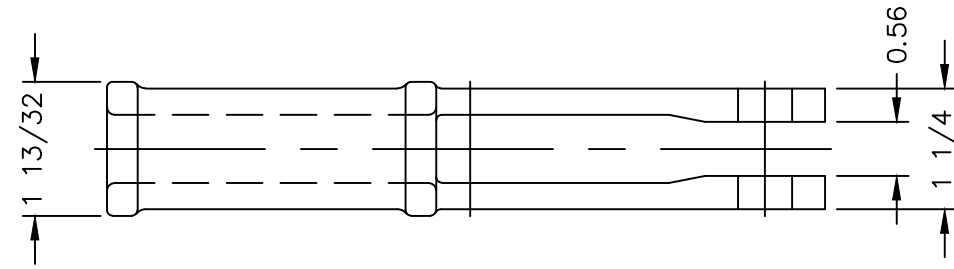


EM200GB

No.	LTR	REVISION/DESCRIPTION	DATE	CHECKED BY



EM200GB

This drawing is the property of ELEVATOR MOTORS CORPORATION
Do not print, photograph, copy or use for any
purpose other than that which it is specifically furnished



7/16"-1/2"-9/16"-5/8", 11mm-16mm
EMCO-200 WIRE ROPE WEDGE GOVERNOR SOCKET

PART NO.	PART NAME	MATERIAL	QTY	REMARKS
EM-200G	GOVERNOR	ASTM A-27 OR EQUIVALENT		PAINTED BLACK

---	---	07/AUG/01	1/2" = 1"	1 of 1
DWG. No.	CHECKED BY	DATE	SCALE	SHEET No.
			EM200GB	B
				REV LTR.