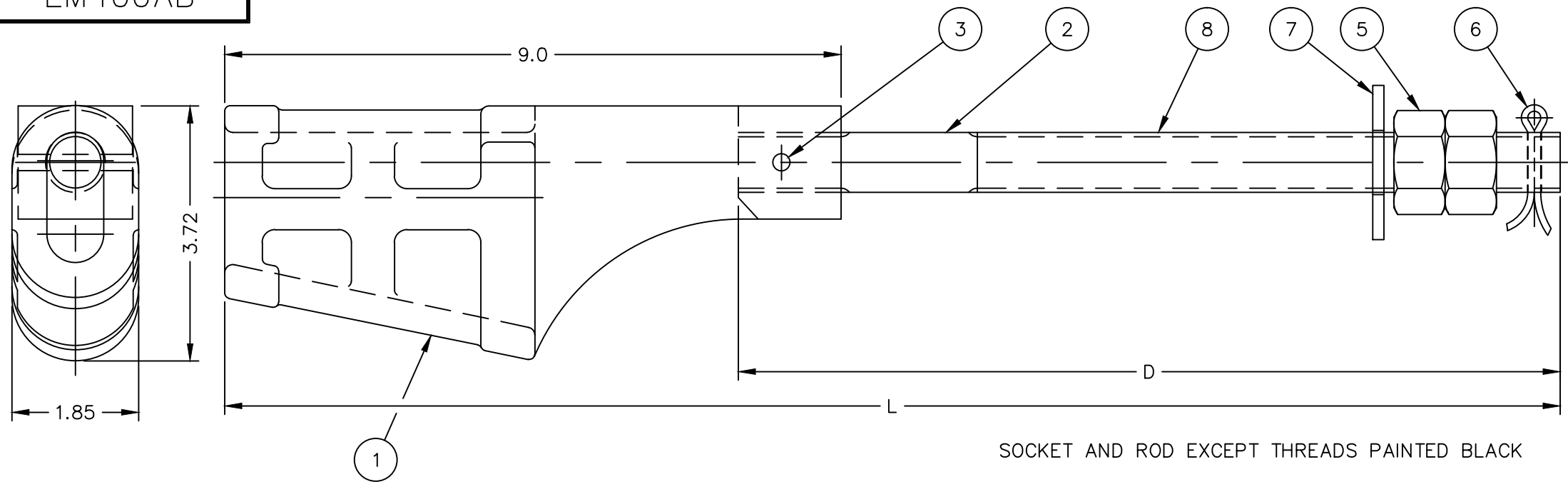


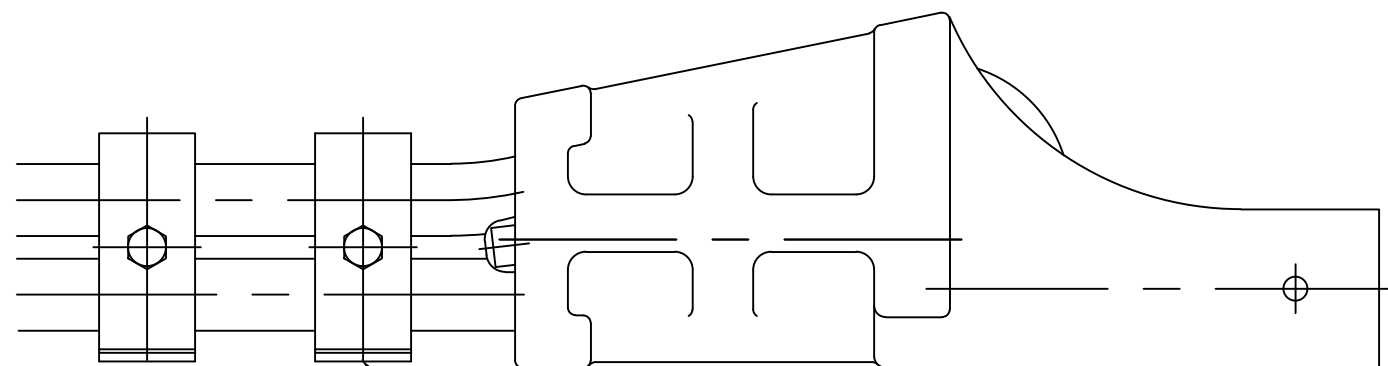
EM400AB

No.	LTR	REVISION/DESCRIPTION	DATE	CHECKED BY

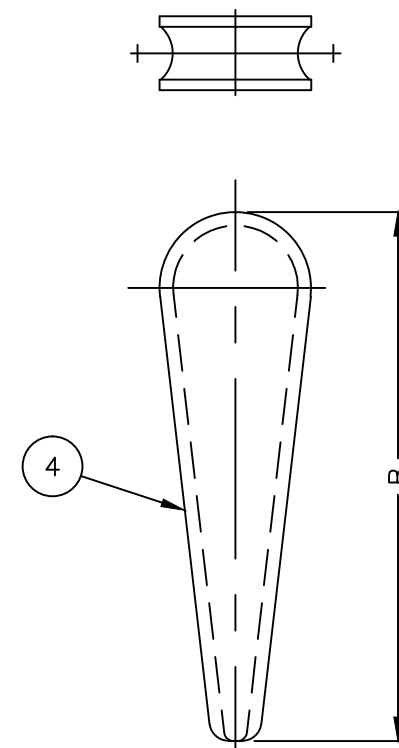


SOCKET AND ROD EXCEPT THREADS PAINTED BLACK

PER ASME A17.1 SECTION 2.20
WIRE ROPE WEDGE SOCKET ASSEMBLY



EM403 WIRE ROPE RETAINING CLIPS
(2) REQUIRED



P/N: EM401
WEDGE INSERT

REF	DESCRIPTION
1	SOCKET
2	ROD
3	ROLL PIN
4	WEDGE
5	NUT
6	COTTER PIN
7	WASHER
8	THREADS

EM400AB

DATE	PART	DESCRIPTION	B	L	D
09/JUN/01	EM401	11/16 INCH-19mm WEDGE INSERT	5.51	-	-
	EM400-12	WIRE ROPE WEDGE		19.5 INCH	12.0 INCH
	EM400-18	SOCKET		25.5 INCH	18.0 INCH
	EM400-24			31.5 INCH	24.0 INCH
	EM400-30			37.5 INCH	30.0 INCH
	EM400-36			43.5 INCH	36.0 INCH
	EM400-42			49.5 INCH	42.0 INCH
	EM400-24	WIRE ROPE WEDGE FL THD SOCKET		31.5 INCH	24.0 INCH

This drawing is the property of ELEVATOR MOTORS CORPORATION
Do not print, photograph, copy or use for any purpose other than that which it is specifically furnished



11/16"-3/4"-17.5mm-19mm EMCO-400
WIRE ROPE WEDGE SOCKET ASSEMBLY

R.S.P.	---	08/AUG/01	1" = 2"	1 of 1
DWG. No.	CHECKED BY	DATE	SCALE	SHEET No.
			EM400AB	C
				REV LTR.