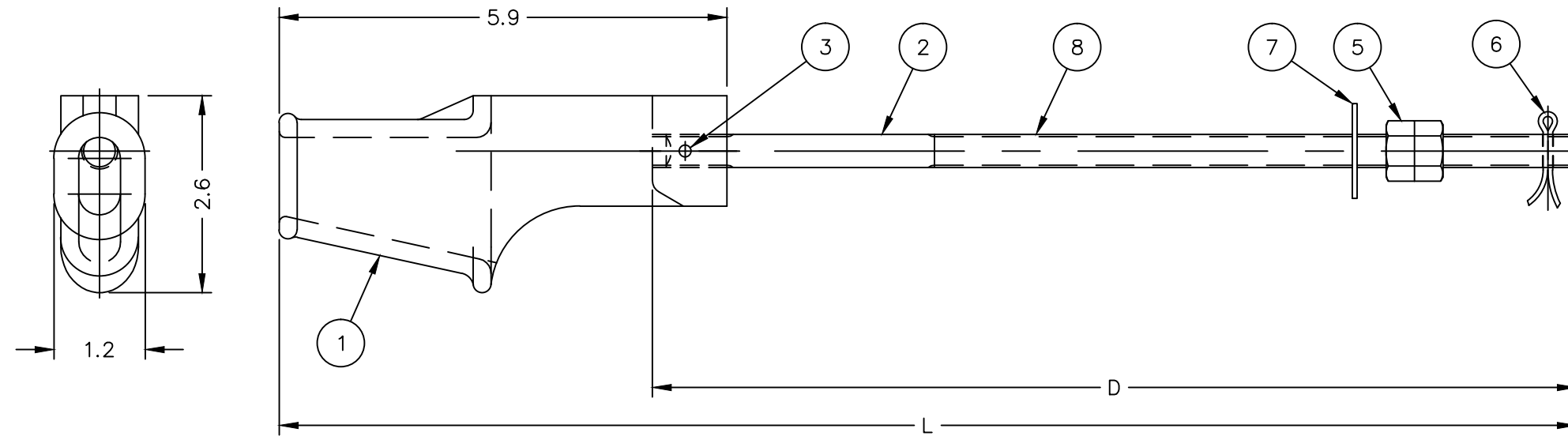


EM70AB

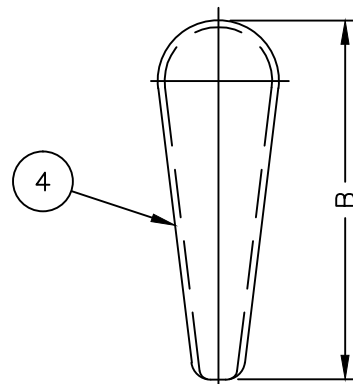
No.	LTR	REVISION/DESCRIPTION	DATE	CHECKED BY



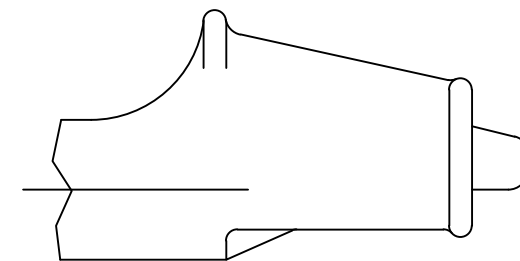
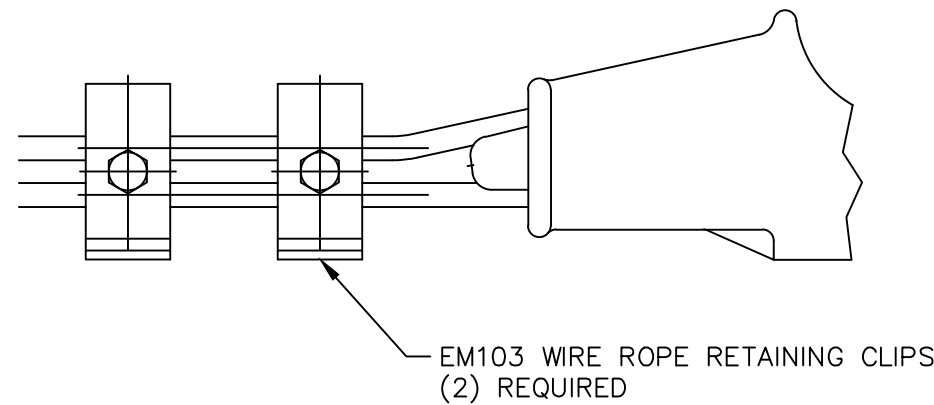
SOCKET AND ROD EXCEPT THREADS PAINTED BLACK



PER ASME A17.1 SECTION 2.20
WIRE ROPE WEDGE SOCKET ASSEMBLY



P/N: EM71
WEDGE



REF	DESCRIPTION
1	SOCKET
2	ROD
3	ROLL PIN
4	WEDGE
5	NUT
6	COTTER PIN
7	WASHER
8	THREADS

This drawing is the property of ELEVATOR MOTORS CORPORATION
Do not print, photograph, copy or use for any
purpose other than that which it is specifically furnished



1/4"-5/16", 5-8mm EMC0-70
WIRE ROPE WEDGE SOCKET ASSEMBLY

R.S.P.	---	23/MAY/05	1" = 2"	1 of 1
DRAWN BY	CHECKED BY	DATE	SCALE	SHEET No.
DWG. No.	EM70AB			C REV LTR.

EM70AB

DATE	PART	DESCRIPTION	B	L	D
23/MAY/05	EM71	1/4-5/16 INCH, 5-8mm WEDGE INSERT	3.74	-	-
	EM70-12	WIRE ROPE WEDGE		16.9 INCH	12.0 INCH
	EM70-18	SOCKET		22.9 INCH	18.0 INCH
	EM70-24			28.9 INCH	24.0 INCH