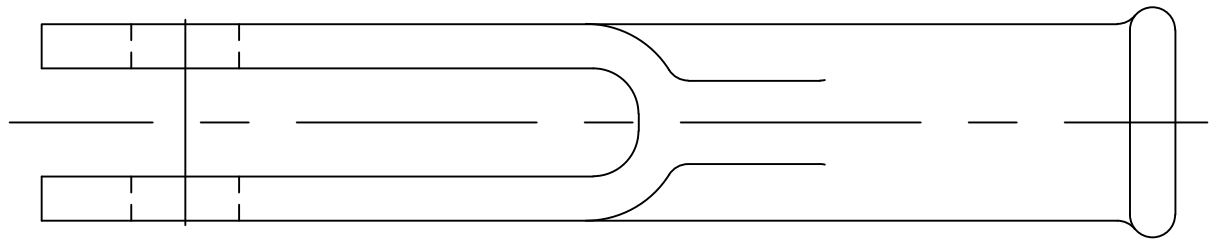
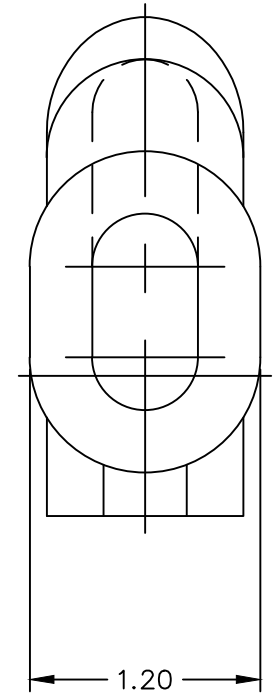
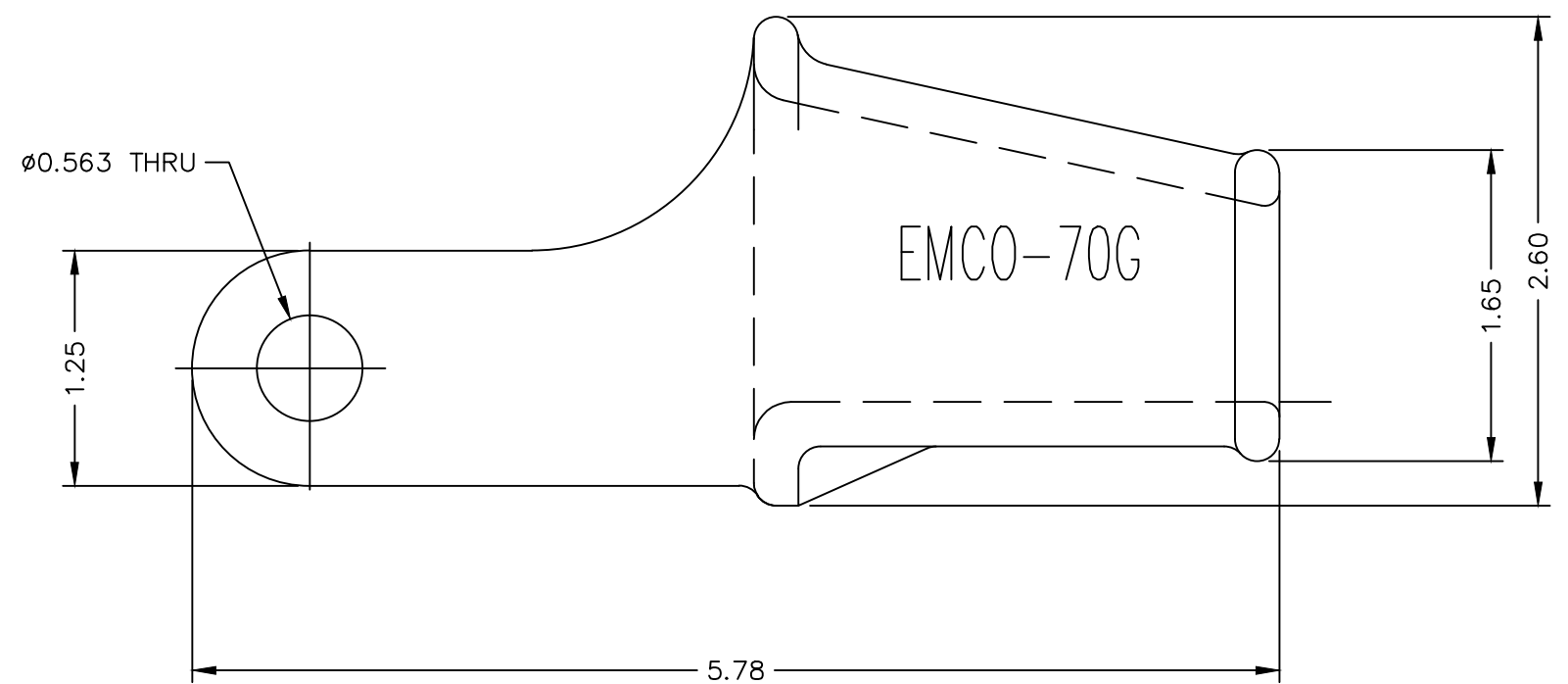
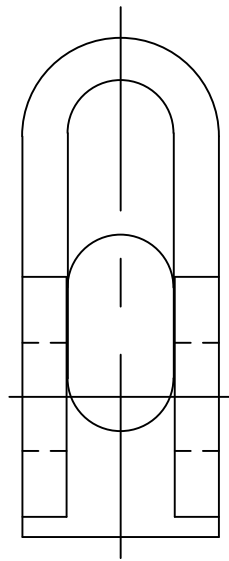
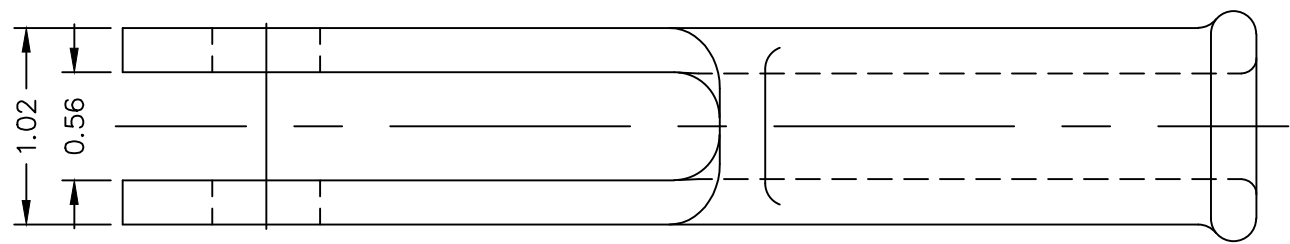


EM70GB

No.	LTR	REVISION/DESCRIPTION	DATE	CHECKED BY



EM70GB

EM70G	GOVERNOR	ASTM A-27 OR EQUIVALENT		PAINT BLACK
PART NO.	PART NAME	MATERIAL	QTY	REMARKS

This drawing is the property of ELEVATOR MOTORS CORPORATION  
Do not print, photograph, copy or use for any  
purpose other than that which it is specifically furnished

**ELEVATOR MOTORS CORPORATION**

1/4"-5/16", 5-8mm EMCO-70G  
WIRE ROPE GOVERNOR SOCKET

R.S.P.	---	19/Feb/15	1 = 1	1 of 1
DRAWN BY	CHECKED BY	DATE	SCALE	SHEET No.
DWG. No.	EM70GB			A REV LTR.