

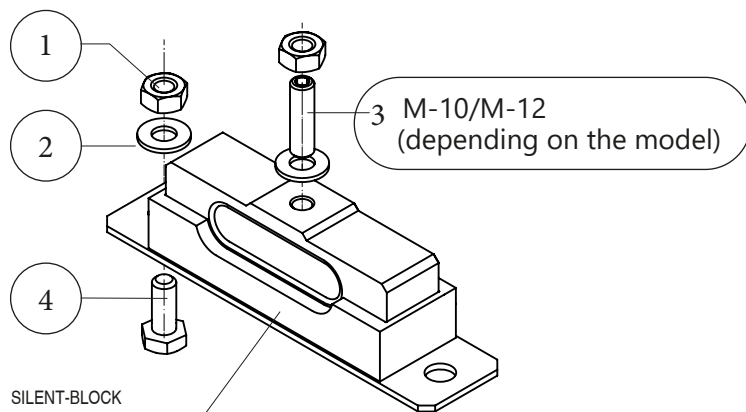
TCA-800 Under cabin sensor

User Manual



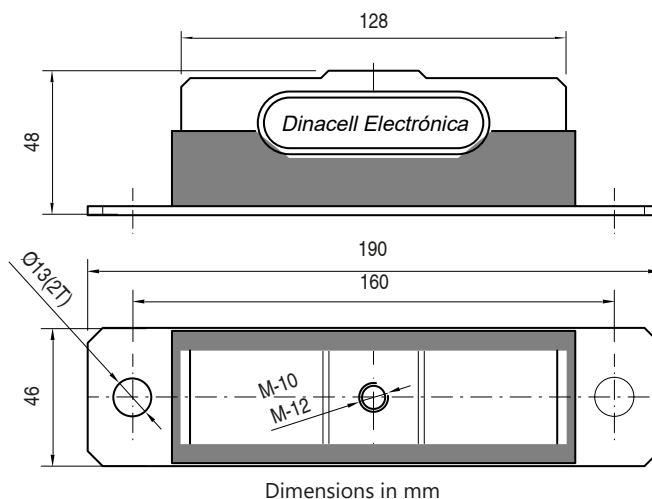
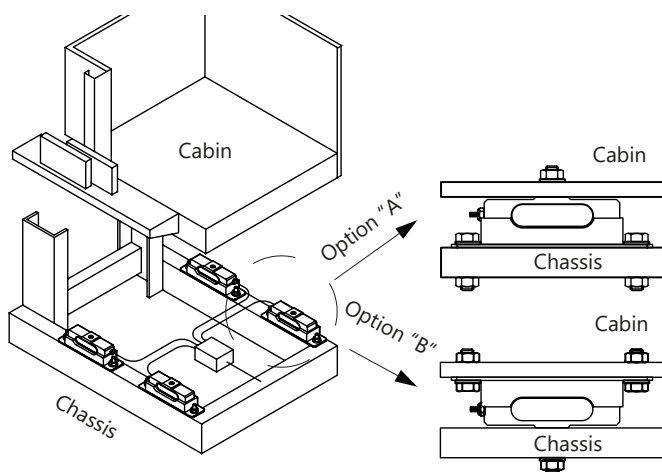
Standard screw for single sensor

	TCA-800		1 ud
1	Nuts	DIN 934	3 ud
2	Washer	DIN 125	3 ud
3	Long screw	DIN 913	1 ud
4	Hexagonal screw	DIN 933	2 ud



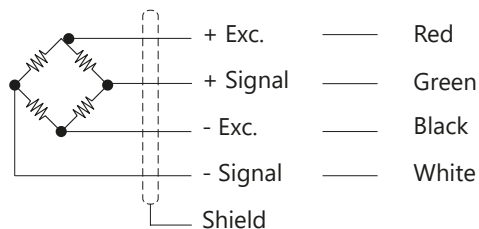
Installation position

As what you see in the diagram of assembly, the TCA is placed under the cabin, above the chassis. Their installation could be downward position (option A) or upward position (option B).



Connection

They are usually installed in sets of 2 or 4 sensors. It is possible to buy this kind of sensors as a set, joined through a (1) CONNECTION BOX with wired or USB output. On the other hand, individual TCA feature USB output as an option. In this case, sensors should be connected to an (2) INTERFACE with wired or USB output was well, depending on the input of the control unit.



Document Ref: D2077-00

Publication Date: 19/5/2022

ELEVATOR MOTOR CORPORATION. (EMCO)

80 Carolyn Boulevard, NY- 11735 Farmingdale, USA

Phone: +1 6312934440 info@elevatormotors.com www.elevatormotors.com

