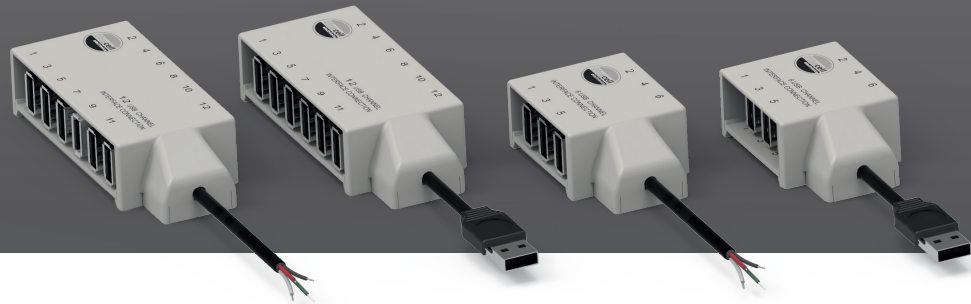


6 or 12 USB junction box

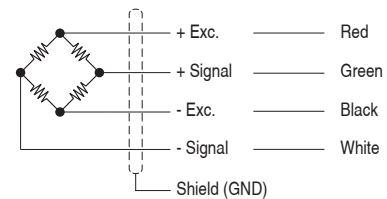
The INTERFACE USB Hub allows you to connect a set of up to twelve cells in a single output. This makes it allow us to install load limiters with a single input.



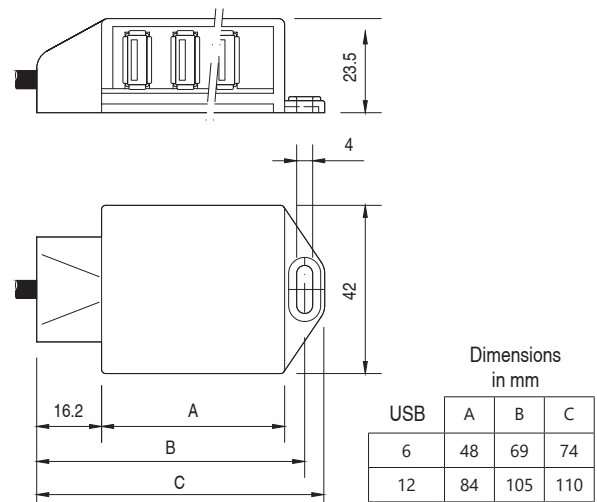
INTERFACE Junction boxes

There are two types of INTERFACE USB Hubs, depending on the number of USB inputs. So that one can connect either 6 or 12 USB's into a single output group.

These two models can vary depending on the termination of the cable either with USB or wire connection.



Parameter	Units	Specifications			
Model	-	INTERFACE			
Temp range.	°C (°F)	-20 ... +60 (-4 ... +140)			
Casing material	-	Fireproof plastic ABS			
Protection class	-	IP50			
Cable type	-	4 x 0.22 mm ² Ø4			
Standard length	m	5 + Ferrite			
USB Input	-	6		12	
Cable Output	-	USB	Wiring connection	USB	Wiring connection
Ref.		007555	007274	007554	007275



For more information

www.elevatormotors.com

ELEVATOR MOTOR CORPORATION. (EMCO)
 80 Carolyn Boulevard,
 Farmingdale, NY 11735 USA
 Phone. (+1) 6312934440
 Fax. (+1) 6312932714



OFFICIAL USA DISTRIBUTOR OF DINACELL ELECTRÓNICA S.L.

Document Ref: D1732-03
Publication Date: 21/03/2022